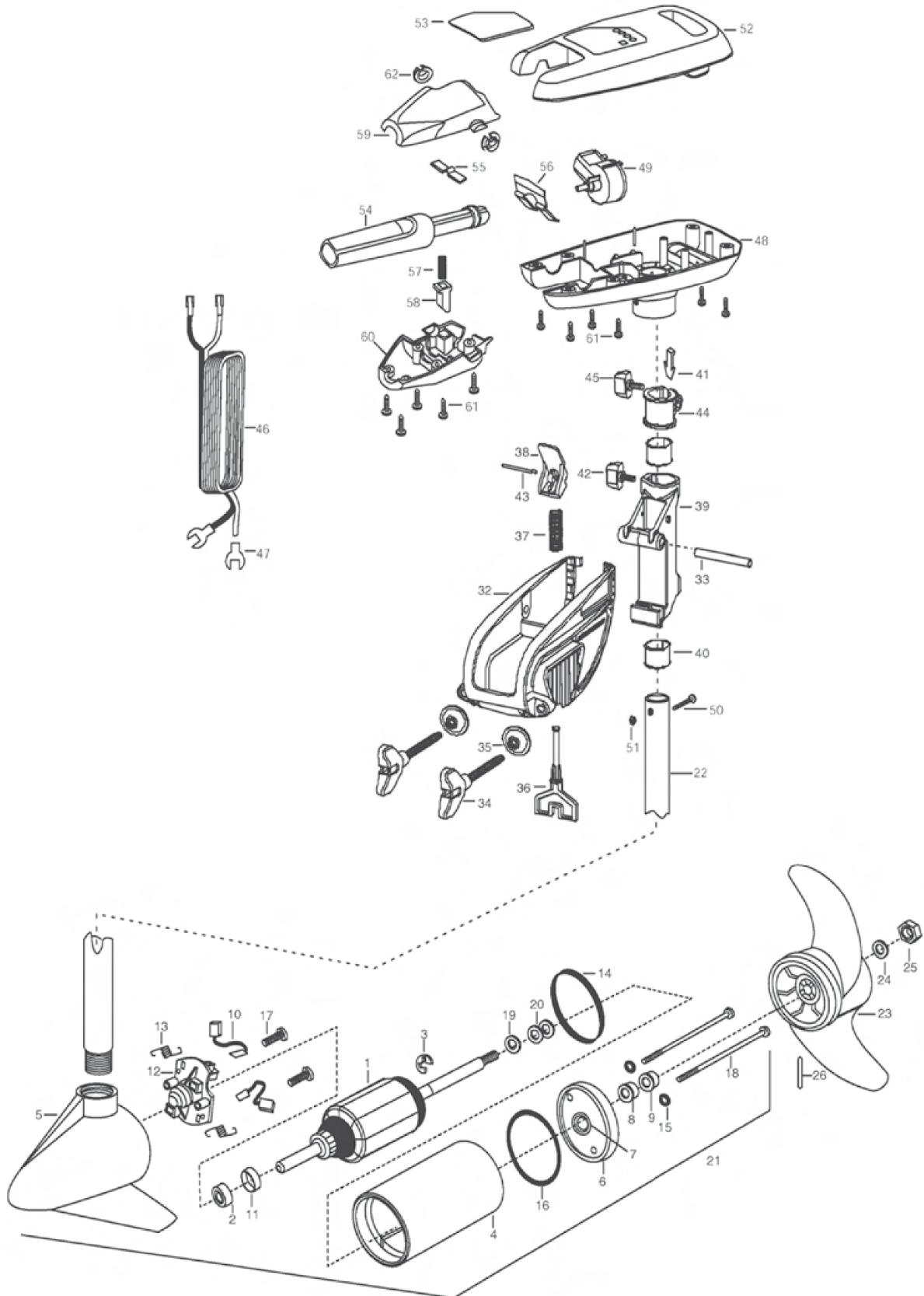


ENDURA CAMO 55





MINN KOTA®

ENDURA CAMO 55

| | | | | | | | |
|-----|-----------|--|--|--|--|---------|-----------------------------------|
| 1 | 2-100-117 | ARMATURE ASSEMBLY 12V 3.625 FW | | | | | |
| 2 | 140-010 | BEARING- BALL | | | | 2881300 | CLAMP SCREW, WASHER, RETAINER KIT |
| 3 | 788-015 | RETAINING RING | | | | 36 | T-BAR PLASTIC |
| 4 | 2-200-101 | CENTER HOUSING ASSEMBLY 3.625 FW TXT | | | | 37 | SPRING- T-BAR ENDURA |
| 5 | 2-300-196 | BRUSH END HOUSING ASSEMBLY 3.625 SPCO 36" | | | | 38 | LEVER- TILT BLACK ENDURA |
| 6 | 2-400-101 | PLAIN END HOUSING ASSEMBLY 3.625 | | | | 39 | HINGE-PLASTIC |
| 7 | 144-049 | BEARING- FLANGE ,SERVICE ONLY | | | | 40 | BUSHING-HINGE [2.EA] |
| 8 | 880-003 | SEAL | | | | 41 | TENSION BLOCK- SNAP IN |
| 9 | 880-006 | SEAL WITH SHIELD | | | | 42 | SCREW-TENSION/NEW KNOB |
| 10 | 188-036 | BRUSH ASSEMBLY 3.625 [2.EA] | | | | 43 | PIN- TILT LEVER |
| 11 | 725-050 | BRUSH RETENTION- PAPER TUBE | | | | 44 | COLLAR-DEPTH ((ENDURA) |
| 12 | 738-036 | BRUSH PLATE WITH HOLDER | | | | 45 | SCREW-COLLAR/NEW KNOB |
| 13 | 975-040 | SPRING- TORSION [2.EA] | | | | 46 | LEADWIRE 10 GA SPADE TERM |
| 14 | 337-036 | GASKET | | | | 47 | TERMINAL SPADE 10GA [2. EA] |
| 15 | 701-008 | O-RING [2.EA] | | | | 48 | CONTROL BOX CAMO W/HAND 5SPD |
| 16 | 701-081 | O-RING | | | | 49 | SWITCH-FWD/REV 5SPD |
| 17 | 830-007 | #8-32 SCREW [2.EA] | | | | 50 | SCREW-10-24 K 1-3/4 |
| 18 | 830-042 | THRU BOLT 10-32X8.83 [2EA] | | | | 51 | NUT-10-24 HEX |
| 19 | 990-067 | WASHER- STEEL THRUST | | | | 52 | CONTROL BOX COVER-(CAMO) |
| 20 | 990-070 | WASHER- NYLATRON [2.EA] | | | | 53 | DECAL-COVER, 55XL CAMO |
| 21 | 2097092 | MOTOR ASSEMBLY 12V 3.625 5SPC FW 36" | | | | 54 | HANDLE ASSEMBLY-W/U-JOINT 5SPD |
| 22 | 2067711 | TUBE (COMP)W/CS K HOLE 36" CAMO DIPPED | | | | 55 | SPRING-DETENT OFF (SS) |
| | ■ 1378131 | PROPELLER KIT | | | | 56 | SPRING-DETENT HANDLE-TILT |
| 23 | 2091160 | PROPELLER W/WEDGE | | | | 57 | SPRING-RELEASE BUTTON (SS) |
| 24 | 2151726 | WASHER-PROP (MEDIUM) | | | | 58 | RELEASE BUTTON-HANDLE |
| 25 | 2053101 | NUT-PROP NYLOC | | | | 59 | HANDLE (TOP HALF) CAMO |
| 26 | 2092600 | PIN-DRIVE (SS) | | | | 60 | HANDLE (LOWER HALF) CAMO |
| | ■ 2771810 | BRACKET & HINGE ASSEMBLY | | | | 61 | SCREW-6-20 x 5/8 SELF TAP [11 EA] |
| | ■ 2771910 | BRACKET W/CLAMP SCREW ASSEMBLY (INCL.32,34,35) | | | | 62 | BEARING-HANDLE PIVOT [2. EA] |
| *32 | 2061910 | BRACKET PLASTIC | | | | | |
| 33 | 2060510 | PIN-HINGE- ENDURA | | | | | |
| *34 | 2061300 | SCREW- CLAMP [2.EA] | | | | | |
| *35 | 2011710 | WASHER- CLAMP SCREW 1.50D [2.EA] | | | | | |

* This item is part of an assembly. This item cannot be sold separately due to machining and /or assembly that is required.